

The Bentley Building
Dickinson Street
Oldham
Lancashire
OL4 1HD

TEL. 0161 627 5256
FAX. 0161 620 6995

sales@interfacesolutions.uk.com



**INTERFACE
SOLUTIONS
UK LTD.**

www.interfacesolutions.uk.com

**(IS 60T)
1 SECOND TO 64 WEEK TIMER**

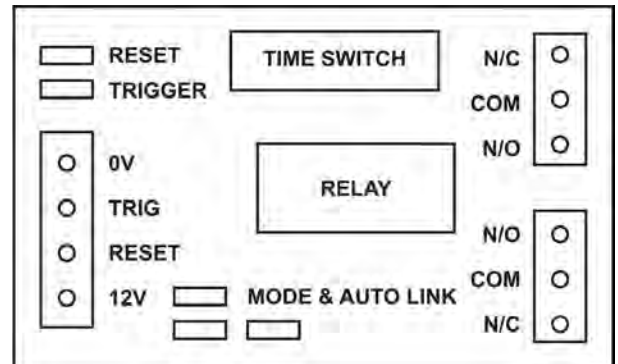
Timer operates on 12 or 24volts DC.
Just connect to the unit and the timer will automatically adjust to the supply voltage
Ideal to monitor the opening of a fire or emergency exit door

Four modes of operation selected by jumper link:

- A. Relay energised **AFTER** delay/expired time
- B. Relay energised **FOR** timed period
- C. Trigger must still be present **AFTER** the timed period for the relay to activate and latch **until reset**
- D. The same as mode C, but is **non latching** – resets as soon as trigger is removed (the door is closed)

Modes A, C and D have an additional feature – if the AUTO link is fitted the relay will reset after 20 seconds.

Inputs to both TRIG and RESET can be HIGH or LOW selected by Jumper link (in simple terms the means that it can be triggered and reset by connecting the inputs 12v or 0v)



Operating Voltage	10.5 - 28 Volts DC
Relay Contacts rated at	8 Amps at 240 V AC 8 Amps at 30 V DC minimum 10 mA
Current when energised	34 mA
Dimensions	47mm (W) 78mm (L) 22mm (H)
Packing Weight	46g



This product has passed the requirements for compliance