



Interface Solutions UK Ltd.

www.interfacesolutions.uk.com

1 Fontwell Road
Little Lever
Bolton
Lancashire
BL3 1TE

Tel/Fax: 01204 708302
tech@interfacesolutions.uk.com

(IS 60T AC)

0-60 sec/min timed relay

The IS 60T AC timer is a simple low cost and versatile timer that is suitable for security, fire, door access, CCTV systems and many other applications where a reliable timer is required. It has been designed for 12 or 24 volt AC operation and has a double pole relay rated at 8 Amps 240 Volts AC complete with LED indication.

Time intervals:

- Range 1** 0-60 seconds, adjusted by the potentiometer
- Range 2** 1-60 minutes, selected by plug in link JP2 and adjusted by the potentiometer.

Two modes of operation are provided and are selected by plug in link JP1.

Mode 1 Link pins 1 and 2 on JP1. The relay activates for the timed period. In *Mode 1* there are 3 options.

- A. With JP4 link out, apply a momentary trigger. The relay will activate for the timed period and then de-energise.
- B. With JP4 link in, apply a momentary trigger. The relay will activate for the timed period and then de-energise. The timer will lock out until reset pins JP3 are shorted.
- C. With JP4 link out, apply a permanent trigger. The relay will activate for the timed period and then de-energise. If the trigger is still present, after approximately 3 seconds the timer will start again, creating a continuous cycle of operation. The timer will reset after the trigger has been removed.

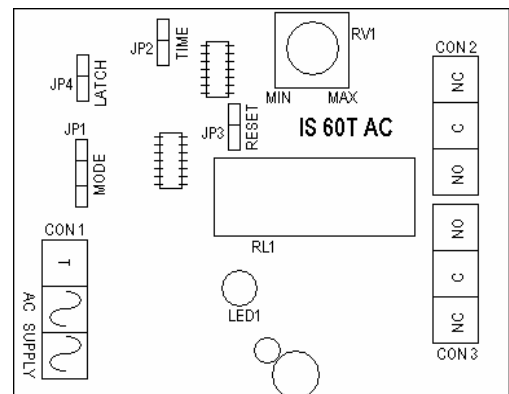
Mode 2 Link pins 2 and 3 on JP1. The relay activates **after** the timed period. In *Mode 2* there are 3 options.

- A. With JP4 out, apply a momentary trigger. The relay activates momentarily after the timed period.
- B. With JP4 link in, apply a momentary trigger. The relay will latch on after the timed period until reset pins JP3 are shorted.
- C. With JP4 link out, apply a permanent trigger. The relay will activate after the timed period for approximately 3 seconds and then de-energise. If the trigger is still present the timer will start again, creating a continuous cycle of operation. The timer will reset after the trigger has been removed.

Trigger inputs:

The timer will start when an input is applied to the 'T' terminal. The input can be a brief pulse or a continuous signal.

Supply Voltage	12 Volts AC	24 Volts AC
Quiescent Current	4 mAmps	14 mAmps
Current when active	50 mAmps	70 mAmps
D/P Relay rated at	8 Amps at 240 V AC	
Dimensions	57mm (W), 85mm (L), 20mm (H)	



We recommend IS Sticky Feet Size B, self-adhesive mounting pillars to ensure a neat fixing.

This product has passed the requirements for compliance