

The Bentley Building
Dickinson Street
Oldham
Lancashire
OL4 1HD

TEL. 0161 627 5256
FAX. 0161 620 6995

sales@interfacesolutions.uk.com



**INTERFACE
SOLUTIONS
UK LTD.**

www.interfacesolutions.uk.com

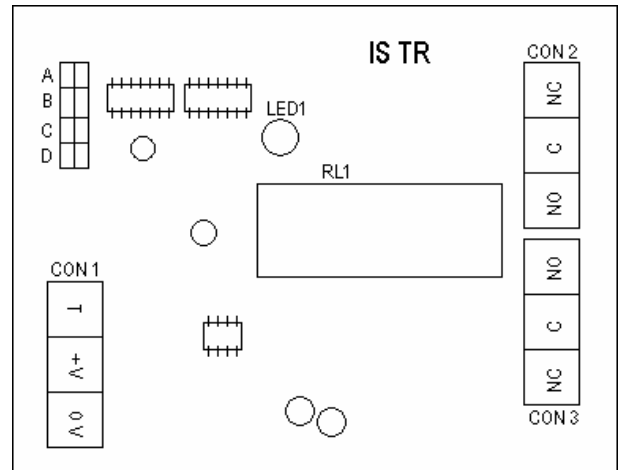
(IS TR) TOGGLE RELAY

The toggle relay is a simple low cost module ideal for use with radio controlled transmitter /receivers to operate gates, doors, barriers, CCTV cameras and alarm systems. It has been designed for 12 or 24 Volt DC operation and has a double pole relay rated at 8 amps 240 V AC complete with LED indication.

Operation:

The relay is activated by a trigger which can be a positive or negative voltage applied or removed from the 'T' terminal. This gives a toggled on-off action.

Options:



Link In	Trigger	Relay
A	Applied	Not latched
B	Removed	Not latched
D	Removed	Latched
D	Applied	Latched

Supply Voltage	12V DC	24V DC
Quiescent Current	8 mA	23 mA
Current when active	38 mA	68 mA
Double Pole Relay rated at	8 Amps at 240 V AC minimum 10 mA	
Dimensions	57mm (W) 82mm (L) 20mm (H)	
Packing Weight	50g	

We recommend IS Sticky feet size B, self-adhesive mounting pillars to ensure a neat fixing



This product has passed the requirements for compliance