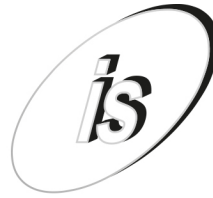


The Bentley Building
 Dickinson Street
 Oldham
 Lancashire
 OL4 1HD

TEL. 0161 627 5256
FAX. 0161 620 6995

sales@interfacesolutions.uk.com



**INTERFACE
 SOLUTIONS
 UK LTD.**

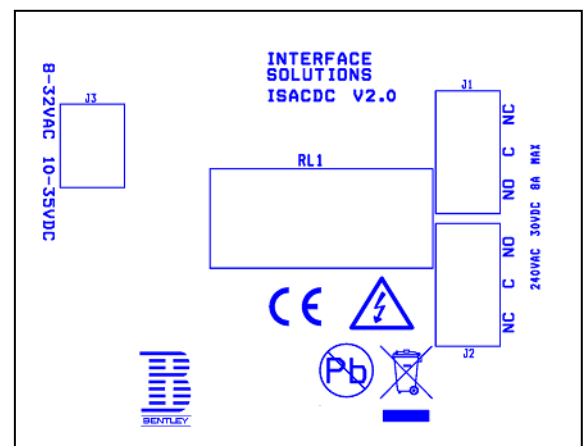
www.interfacesolutions.uk.com

**(IS AC/DC)
 AC/DC RELAY**

The IS AC/DC relay is a very versatile relay as it will operate on AC voltages ranging from 8 volts to 32 volts, and it will also operate on DC voltages ranging from 10 volts to 35 volts.

The double pole relay is a simple to fit module wherever a dry contact, voltage free switching is required or where there is a need for higher than usual currents and voltages to be switched. The double pole relay is rated at 8 Amps complete with LED indication.

- Works on AC or DC
- Automatic voltage selection
- No jumper links to select voltage
- Not polarity conscious.
- Energy saving feature that allows the relay to work at higher voltages



Supply Voltage	6 - 32 Volts AC 10 - 35 Volts AC
Coil Resistance	360 Ohms
Nominal Current	20 mA
Double Pole Relay rated at	8 Amps at 240 V AC 8 Amps at 30 V DC
Minimum switching current	10 mA (to keep contacts clean)
Dimensions	56mm (W) 69mm (L) 30mm (H)

We recommend IS Sticky Feet Size B, self-adhesive mounting pillars to ensure a neat fixing.



This product has passed the requirements for compliance