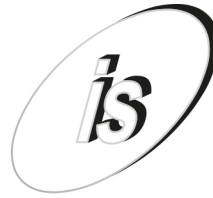


The Bentley Building
Dickinson Street
Oldham
Lancashire
OL4 1HD

TEL. 0161 627 5256
FAX. 0161 620 6995

sales@interfacesolutions.uk.com



**INTERFACE
SOLUTIONS
UK LTD.**

www.interfacesolutions.uk.com

(IS 60T AC) 0-60 SEC/MIN TIMED RELAY

The IS 60T AC timer is a simple low cost and versatile timer that is suitable for security, fire, door access, CCTV systems and many other applications where a reliable timer is required. It has been designed for 12 or 24 volt AC operation and has a double pole relay rated at 8 Amps 240 Volts AC complete with LED indication.

Time intervals:

- Range 1 0-60 seconds, adjusted by the potentiometer
- Range 2 1-60 minutes, selected by plug in link JP2 and adjusted by the potentiometer.

Two modes of operation are provided and are selected by plug in link JP1.

Mode 1

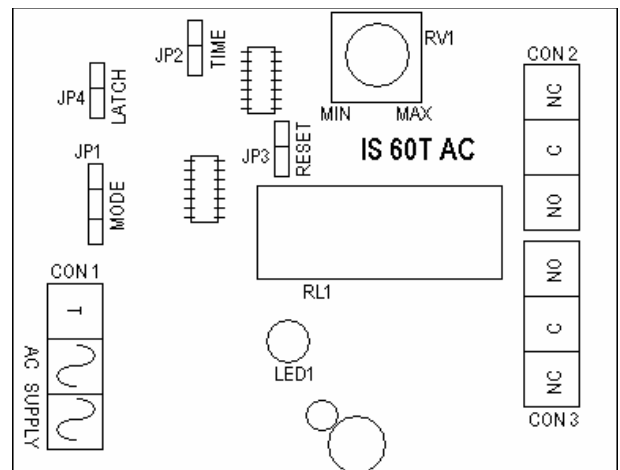
Link pins 1 and 2 on JP1. The relay activates for the timed period. In Mode 1 there are 3 options.

- A. With JP4 link out, apply a momentary trigger. The relay will activate for the timed period and then de-energise.
- B. With JP4 link in, apply a momentary trigger. The relay will activate for the timed period and then de-energise. The timer will lock out until reset pins JP3 are shorted.
- C. With JP4 link out, apply a permanent trigger. The relay will activate for the timed period and then de-energise. If the trigger is still present, after approximately 3 seconds the timer will start again, creating a continuous cycle of operation. The timer will reset after the trigger has been removed.

Mode 2

Link pins 2 and 3 on JP1. The relay activates after the timed period. In Mode 2 there are 3 options.

- A. With JP4 out, apply a momentary trigger. The relay activates momentarily after the timed period.
- B. With JP4 link in, apply a momentary trigger. The relay will latch on after the timed period until reset pins JP3 are shorted.
- C. With JP4 link out, apply a permanent trigger. The relay will activate after the timed period for approximately 3 seconds and then de-energise. If the trigger is still present the timer will start again, creating a continuous cycle of operation. The timer will reset after the trigger has been removed.



The Bentley Building
Dickinson Street
Oldham
Lancashire
OL4 1HD

TEL. 0161 627 5256
FAX. 0161 620 6995

sales@interfacesolutions.uk.com



**INTERFACE
SOLUTIONS
UK LTD.**

www.interfacesolutions.uk.com

Trigger inputs:

The timer will start when an input is applied to the 'T' terminal. The input can be a brief pulse or a continuous signal.

Supply Voltage	12V AC	24V AC
Quiescent Current	4 mA	14 mA
Current when active	50 mA	70 mA
Double Pole Relay rated at	8 Amps at 240 V AC minimum 10 mA	
Dimensions	57mm (W) 85mm (L) 20mm (H)	
Packing weight	50g	



We recommend IS Sticky Feet Size B, self-adhesive mounting pillars to ensure a neat fixing.